

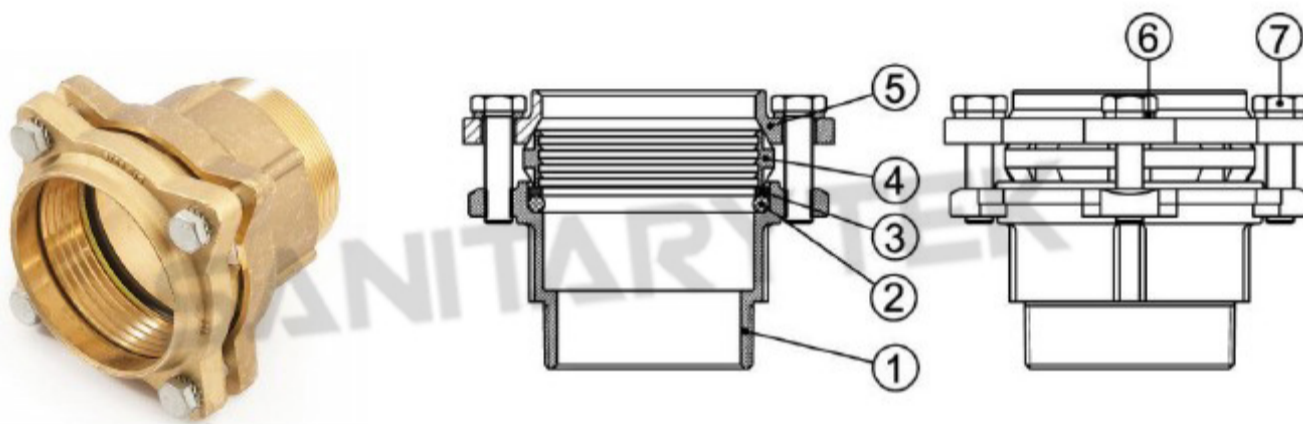


SANITARYTEK

Brass compression flange fitting for PE pipes

Features:

1. Body and nut made in hot forging brass
Applicable for the connection of low, medium and high density polyethylene pipe.
3. Min and max Temp: -10°C to + 80°C
4. Max. Pressure: 16 bar
5. Quick and easy installation
6. Ideal for use in plumbing system



Item	Name	Material
1	Body	brass
2	O ring	EPDM
3	Washer ring	brass
4	Compression (C-Ring)	brass
5	Nut	brass
6	Gasket	S.S304
7	Screw	S.S304

Size	Dimensions (mm)	PN
2½" x PE75	Ø 75	16
3" x PE90	Ø 90	16
4" x PE110	Ø 110	16